



INTUITIVE CONTROL SOFTWARE

The new control software with integrated, extensive maintenance menu makes the operation simple and comfortable.



BRILLANT 240

The BRILLANT 240 is a wet abrasive cut-off machine with fine dynamic and manual vertical wheel movement (chop cut) for samples up to \varnothing 95 mm and electromechanical lever brake. The automatic X-axis allows a precise pulsed cut and oscillation

cut while the spacious cutting chamber gives various clamping variations.

The solid aluminum design comes with openings on the right and left hand side for cutting long parts.

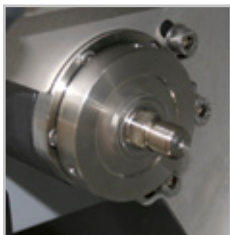
HORIZONTAL MOVEMENT

The manual horizontal or automatic movement allows cutting long parts longitudinally and easy positioning of the sample below the cut-off wheel. In pulsed cutting mode the sample material is cut particularly gently.



FINE DYNAMIC CUT-OFF

With the manual cutting movement, the cutting force is regulated through a set of gears. The cut is thereby jerk-free and more precise. The easy-to-use lever brake fixes the cutting disc in any position.



INNOVATIVE DETAILS

The sliding front door and the side door with safety interlock allow easy and optimal access to the cutting chamber, which is optimal illuminated by a LED lamp. The Quick-Change-System makes change of the cutting wheel quick and easy and simplifies maintenance.

AUTOMATIC CROSS TRAVEL

The automatic Z-axis can be adjusted with 0.1 mm precision for parallel cuts.



BASIC MODULE



BRILLANT 240



Order No.: M1822000

- » manual Y-axis with electromechanical lever brake
- » 7" Touch-Screen user interface with intuitive ATM user software
- » automatic X-axis - manual travel via hand wheel
- » cutting-force dependent feed control (X-axis)
- » superior LED illumination of cutting chamber
- » parallel setting of wheel guard during cutting sequences increases cutting capacity
- » opening on both sides for long parts

EQUIPMENT

POWER SUPPLY



Equipment 1

400 V/50 Hz (3Ph/N/PE)

Order No.: A1822001

Equipment 2

480 V/60 Hz (3Ph/PE)

Order No.: A1822002

Equipment 3

220 V/60 Hz (3Ph/PE)

Order No.: A1822003



TABLE DRIVE



Equipment 1

X-axis automatic/manual
(without Z-axis)

Order No.: A1822004

Equipment 2

**X-axis automatic/manual and
Z-axis (cross feed) automatic**

Order No.: A1822005

OPTION



LASER ALIGNMENT AID



Order No.: A1822006

- » laser line to visualize the cutting line
- » laser class 1



ACCESSORIES

RECIRCULATION COOLING SYSTEM



- » 2-chamber-pvc-compartment 45 ltr.
- » inlet sieve and filter bag

- » incl. connection set
- » controlled by cut-off machine

**Mobile with insertion mechanism for System Lab cabinets**

400 V/50 Hz (3Ph/PE)

Order No.: A5800484

480 V/60 Hz (3Ph/PE)

Order No.: A5800485

220 V/60 Hz (3Ph/PE)

Order No.: A5800486

WxHxD	366x540 (640) x610 mm
-------	--------------------------

**Mobile**

400 V/50 Hz (3Ph/PE)

Order No.: A5800487

480 V/60 Hz (3Ph/PE)

Order No.: A5800488

220 V/60 Hz (3Ph/PE)

Order No.: A5800489

WxHxD	366x550x600mm
-------	---------------

BELT FILTER SYSTEM 130



- » incl. filter roll

400 V/50 Hz (3Ph/PE)

Order No.: A6501009

480 V/60 Hz (3Ph/PE)

Order No.: A6501011

220 V/60 Hz (3Ph/PE)

Order No.: A6501010

Connection set 230/250

Order No.: Z6501004

- » connection tubing for belt filter system 130



Tank	130 ltr.
Filter capacity	30 ltr./min (referring emulsion)
Pump	15 ltr./min
WxHxD	607x632x1308 mm
Weight ~	90 kg

CENTRIFUGAL SEPARATOR



- » removes coolant mist
- » purifies the air and increases visibility
- » exhaust power 180 m³/h

400 V/50 Hz (3Ph/PE) oder 480 V/60 Hz (3Ph/PE)

Order No.: A1822007

220 V/60 Hz (3Ph/PE)

Order No.: A1822008



SPECIFICATIONS

Max. theoretical cutting capacity	Ø 95 mm
Cut-off wheel	Ø 254 mm/10"
Arbour size	Ø 32 mm
Horizontal movement	225 mm
Vertical movement	170 mm
Cross feed	120 mm

Table WxD	1	380x270 mm (without Z-axis)
	2	300x270 mm (with Z-axis)
T-slot		12 mm

Speed		3015 rpm (50 Hz)
		3100 rpm (60 Hz)
Motor cut-off wheel		3 kW, S1-mode
Connected load		5.5 kVA
Power supply	1	400 V/50 Hz (3Ph/N/PE)
	2	480 V/60 Hz (3Ph/PE)
	3	220 V/60 Hz (3Ph/PE)

WxHxD ~	925 x 676 x 756 mm
Weight ~	130 kg

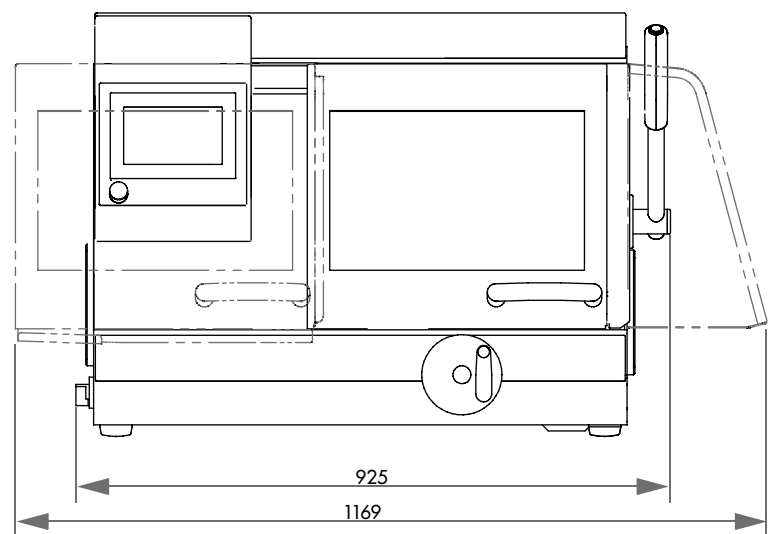
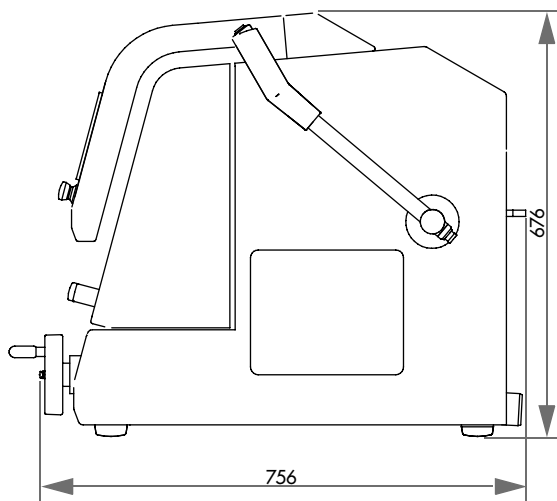


Illustration: Basic unit without equipment, options and accessories. Further information is available on request.



Clamping example